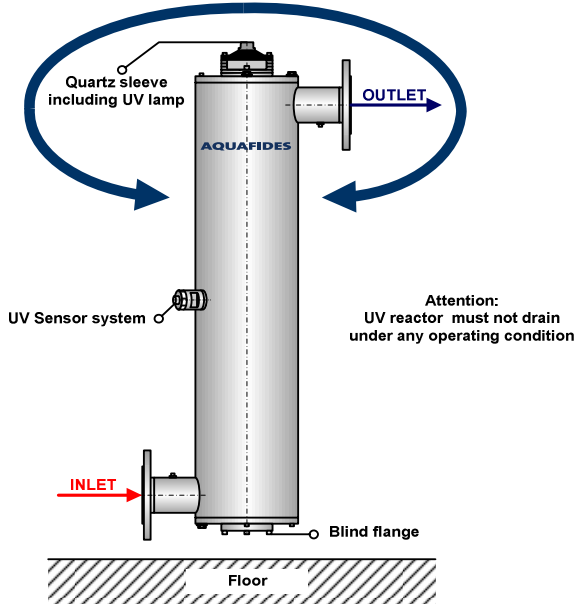


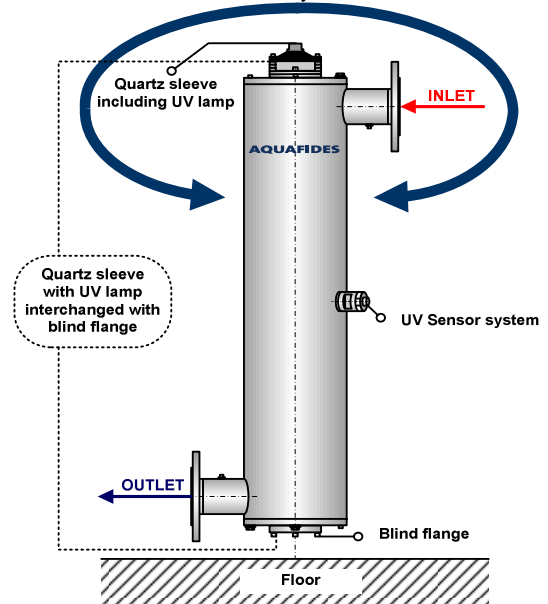
## Stacking arrangement - irradiation chamber

## Single lamp systems - Z design - COMPACT T

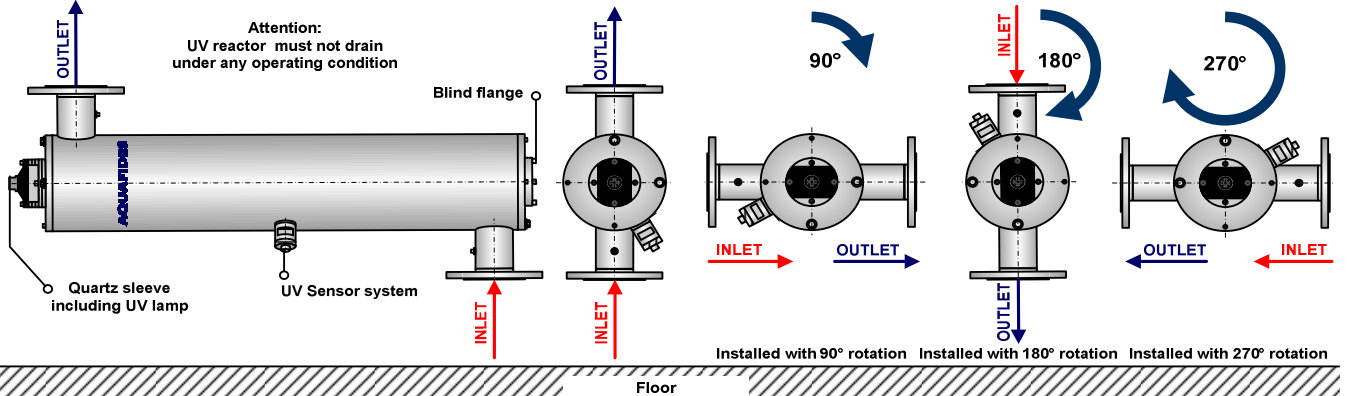
### Vertical mounting direction Installable in any rotation



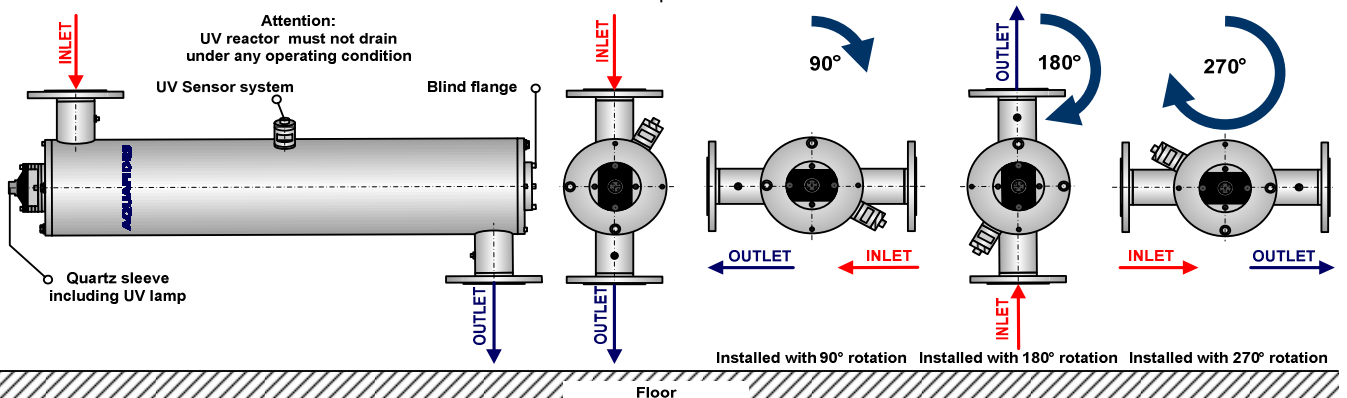
### Vertical mounting direction Quartz sleeve with UV lamp interchanged with blind flange Installable in any rotation



### Horizontal mounting direction Installable with steps of 90° rotation



### Horizontal mounting direction Quartz sleeve with UV lamp interchanged with blind flange Installable with steps of 90° rotation



**IMPORTANT:**  
Direction of INLET and OUTLET

Not drawing to scale